

Keithley Instruments, Inc.
28775 Aurora Road
Cleveland, Ohio 44139
1-888-KEITHLEY
www.keithley.com

The Keithley Instruments Model 3706 mainframe can be mounted in a standard 19-inch equipment rack. The Model 3706 can be secured to the front rails of the rack. The hardware necessary to secure the mainframe to the front rails of the rack is supplied with the Model 3706.

It is recommended to rear support the mainframe at all times. The Model 4288-10 includes brackets and associated hardware to provide rear support.

When two or more screw terminal cards are used it is recommended to use the card support bracket. The model 4288-10 includes a bracket and associated hardware to provide card support.

NOTE The rack-mounting hardware supplied with the Model 3706 is required to secure the front panel of the mainframe to the rack. The hardware supplied with the Model 4288-10 provides rear support.

Table 1

Hardware supplied with Model 3706 (front support):

Qty	Description	Keithley P/N
4	Retaining clip (with captive nut)	FA-148
4	10-32 x 5/8in Phillips dress screw	-

Table 2

Hardware supplied with Model 4288-7 (front support):

Qty	Description	Keithley P/N
4	Retaining clip (with captive nut)	FA-148
4	10-32 x 5/8in. Phillips dress screw	-
2	Rear support bracket	3706-354
12	8-32 x 3/8in. Phillips dress screw	-
1	Card support bracket	3706-355

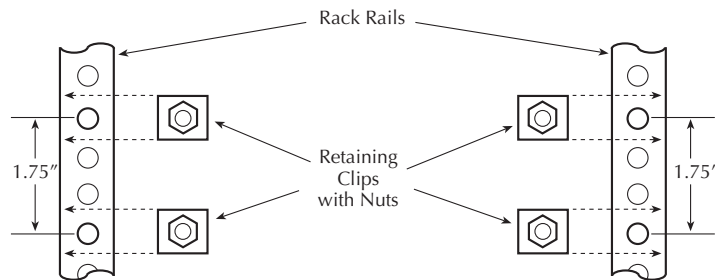
Rack mounting

Perform the following steps to rack-mount the Model 3706:

WARNING *Make sure the Model 3706 is turned off, the line cord is disconnected, and it is not connected to any external circuitry. Failure to disconnect all power could result in personal injury or death from electrical shock.*

1. Select a location in the rack. The mainframe fills 3.5 inches or 2U of vertical space.
2. Using Figure 1 as a guide, install the eight retaining clips on the front and rear rack rails. Slide each retaining clip over a mounting hole so that the captive nut is positioned on the inside of the rack cabinet.
3. Remove the four foot assemblies from the bottom of the Model 3706. The retaining screw for an assembly is located under the rubber foot. Simply pull off the rubber feet to gain access to the screws. Retain these foot assemblies for future use.
4. Attach the two rear support brackets to the Model 3706 using the 8-32 screws as shown in Figure 2.
5. When screw terminal cards are used attach the card support bracket to the two rear support brackets using 8-32 screws as shown in Figure 2.
6. Position the Model 3706 in the rack and loosely attach the front panel to the front rack rails using the four 10-32 dress screws supplied with the Model 3706.
7. Loosely attach the two rear support brackets to rear rack rails using the four 10-32 screws supplied with the rack kit.
8. Tighten the front and rear support screws to secure the mainframe to the rack.

Figure 1
Rack preparation



Figures 2 and 3 illustrate how the Model 3706 looks without cards installed and with cards installed.

Figure 2
Model 3706 without cards installed

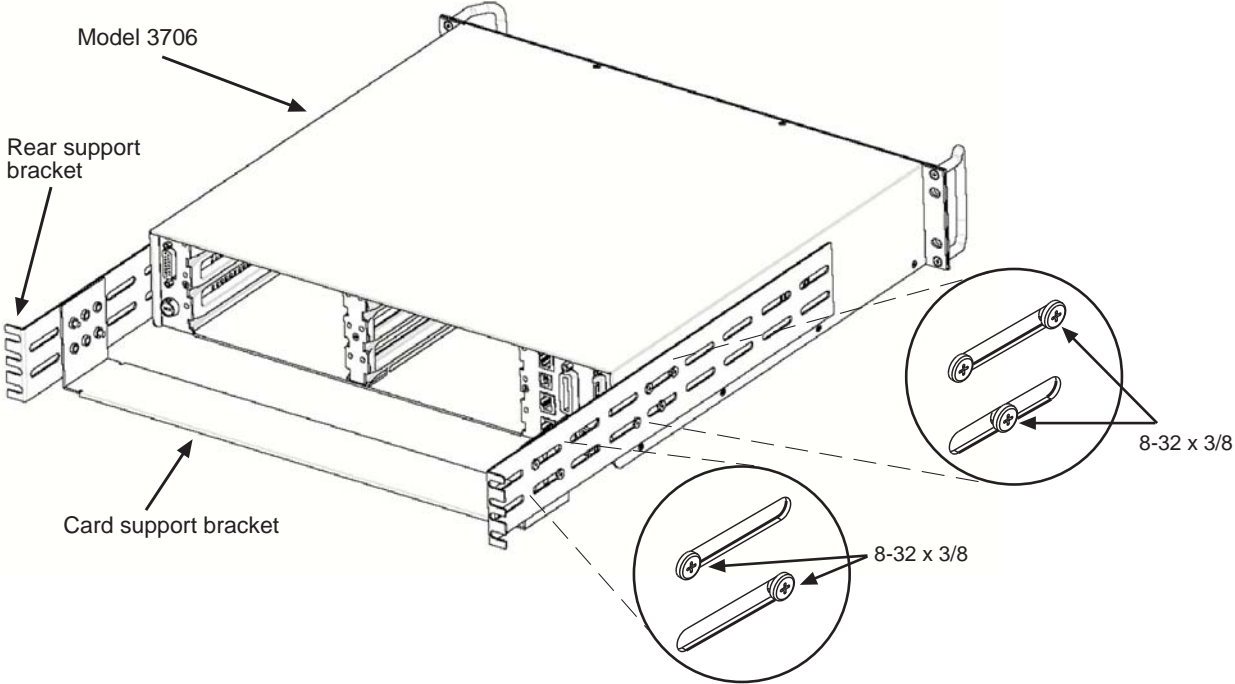


Figure 3
Model 3706 with cards installed

